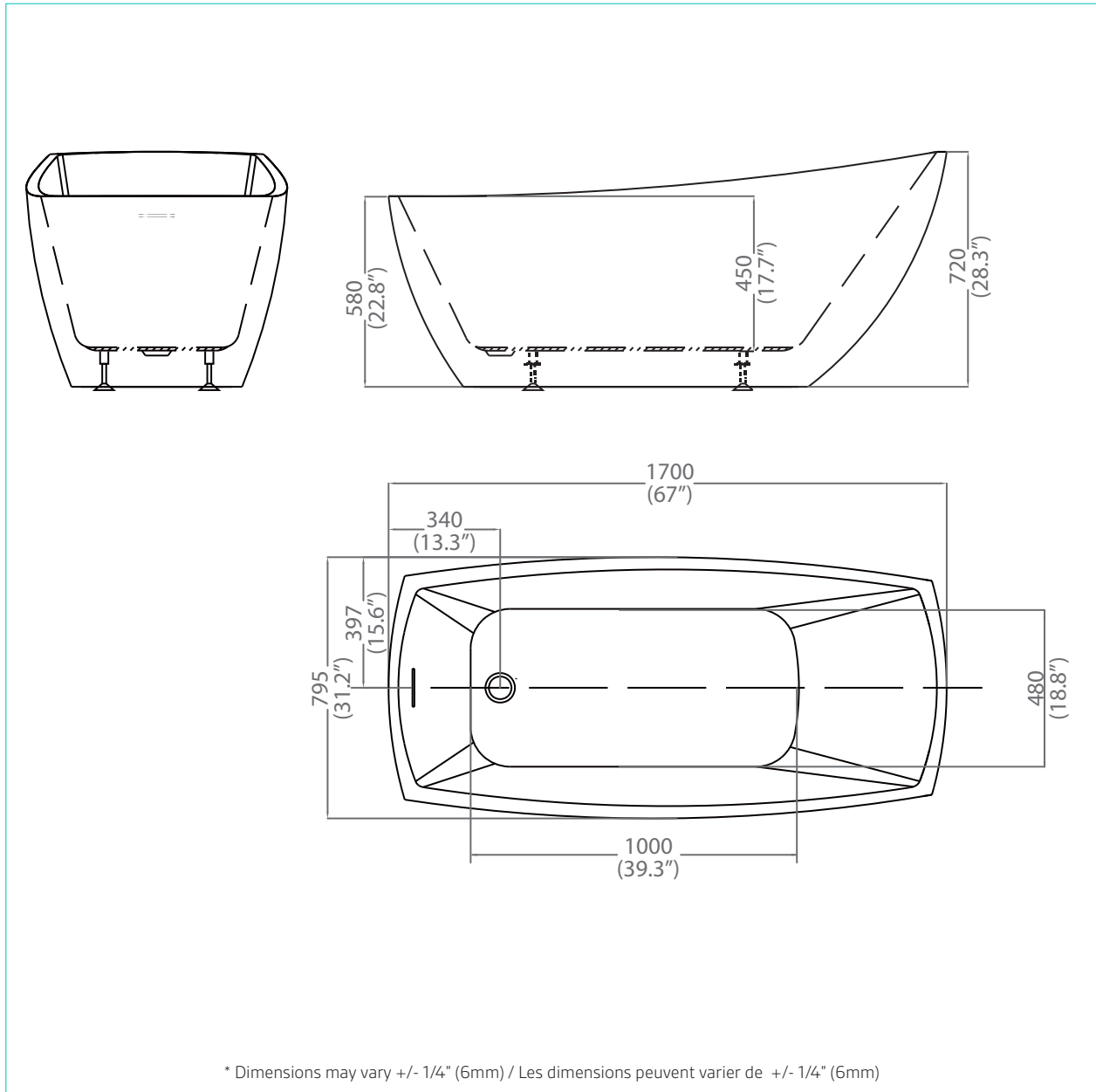




**FREESTANDING
BATHTUBS**

**BAIGNOIRES
AUTOPORTANTES**

BT-944-67-WHT



DIMENSIONS		WEIGHT POIDS	MATERIAL MATERIEL	OVERFLOW HEIGHT HAUTEUR DU TROP-PLEIN	WATER CAPACITY CAPACITÉ DE L'EAU
67 x 31.2 x 28.3" 1700 x 795 x 720 mm		103.6 lbs 47 Kg	Acrylic Acrylique	14.7" 375mm	68.7 gal 2360 lts
FINISH FINITION	DRAIN LOCATION LOCATION DU DRAIN	PIECES PIÈCES	COMPLIANCE CERTIFICATIONS: Uniform Plumbing Code National Plumbing Code of Canada CSA B45.5-17/IAPMO Z124-2017		
Glossy Brillant	End Coin	1 pc			

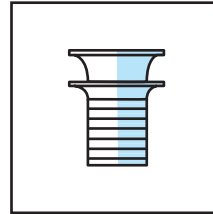


**FREESTANDING
BATHTUBS**

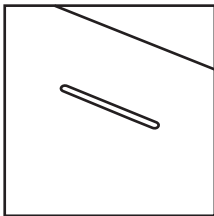
**BAIGNOIRES
AUTOPORTANTES**



Pure acrylic construction reinforced by fiberglass
Construction en acrylique renforcée de fibre de verre



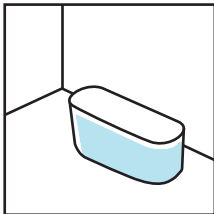
Pop-up drain included
Drain pop-up inclus



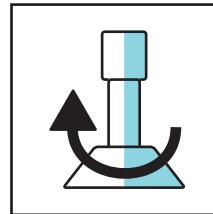
Linear overflow
Trop plein linéaire



cUPC Certified
Certifié cUPC



Freestanding installation
Installation autoportante



Adjustable feet
Pieds ajustables